

Technical data sheet

Product features



Tilting bratt pan electric

Model	SAP Code	00020396
--------------	-----------------	----------



- Bottom material: Steel - suitable for frying
- Bottom thickness: 12.00
- Basin volume [l]: 50
- Usable volume [l]: 50
- Tilting: Motorised
- Filling: Mechanical cock
- Type of pan: Tilting
- Protection of controls: IP24
- Service accessibility: Trough the frontal panel

SAP Code	00020396	Loading	400 V / 3N - 50 Hz
Net Width [mm]	800	Bottom material	Steel - suitable for frying
Net Depth [mm]	730	Basin volume [l]	50
Net Height [mm]	900	Usable volume [l]	50
Net Weight [kg]	157.40	Tilting	Motorised
Power electric [kW]	10.500		

Technical data sheet

Technical drawing

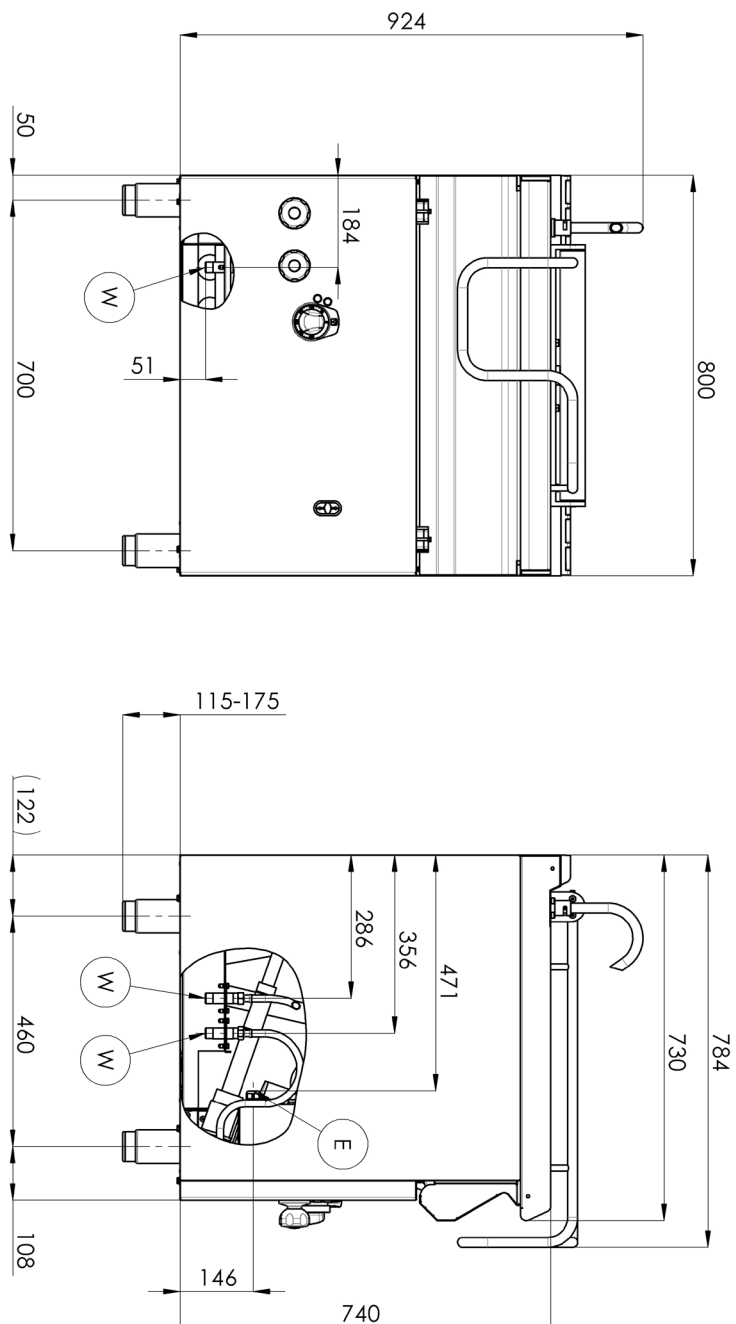


Tilting bratt pan electric

Model

SAP Code

00020396



Technical data sheet

Technical parameters



Tilting bratt pan electric

Model

SAP Code

00020396

1. SAP Code:

00020396

2. Net Width [mm]:

800

3. Net Depth [mm]:

730

4. Net Height [mm]:

900

5. Net Weight [kg]:

157.40

6. Gross Width [mm]:

840

7. Gross depth [mm]:

800

8. Gross Height [mm]:

1080

9. Gross Weight [kg]:

167.50

10. Device type:

Electric unit

11. Power electric [kW]:

10.500

12. Loading:

400 V / 3N - 50 Hz

13. Protection of controls:

IP24

14. Device color:

Stainless steel

15. Material:

AISI 304 top plate and cladding

16. Indicators:

operation and warm-up

17. Worktop type:

Molded - comfortable cleaning maintenance

18. Worktop material:

AISI 304

19. Worktop Thickness [mm]:

1.50

20. Basin volume [l]:

50

21. Maximum device temperature [°C]:

300

22. Minimum device temperature [°C]:

50

23. Service accessibility:

Trough the frontal panel

24. Safety thermostat:

Yes

25. Adjustable feet:

Yes

26. Tilting:

Motorised

27. Bottom thickness:

12.00

28. Bottom material:

Steel - suitable for frying

Technical data sheet

Technical parameters



Tilting bratt pan electric

Model	SAP Code	00020396

29. Type of pan:

Tilting

31. Filling:

Mechanical cock

30. Usable volume [l]:

50

32. Water filling type:

Both cold and warm